



- 8MP high resolution
- 180° Panoramic View
- Built-in Microphone and Speaker
- Dual sources illumination
- Deep learning algorithm
- Support audio and light alarm with built in red and blue flashing light

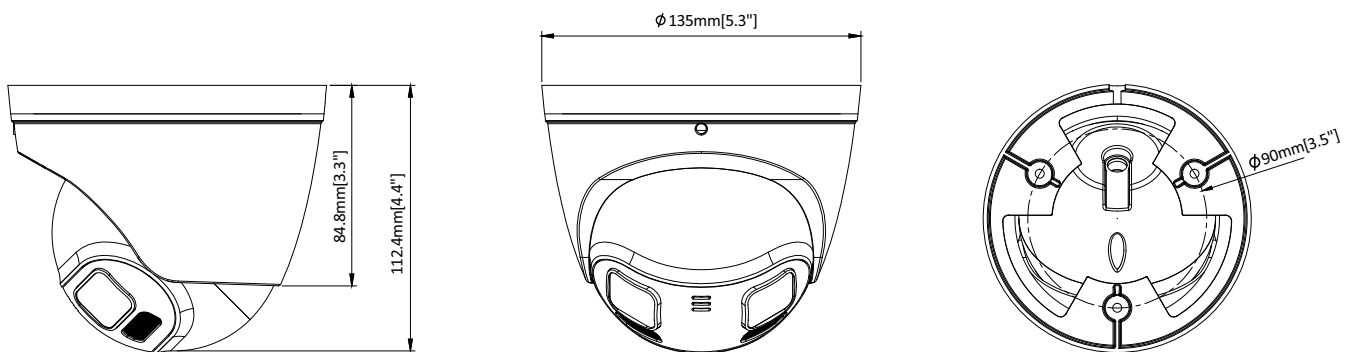
■ Specification

Camera	
Image Sensor	1/2.7" Progressive Scan CMOS *2
Max. Resolution	5120*1440
Min. Illumination	Color: 0.001 Lux @ (F1.6, AGC ON), B/W: 0 Lux with IR
Shutter Speed	1/5 s to 1/20000 s
Slow Shutter	Yes
Day & Night	IR cut filter
Zoom	NA
Lens	
Focal Length	2.8mm Fixed
FOV	Horizontal field of view: 180°
Aperture	F1.0
Illuminator	
Supplement Light Range	IR Distance: Up to 30m /Warm light: up to 15m
Supplement Light Type	IR & Warm light
Video	
Main Stream	60/50Hz@15fps; 5120x1440; 4608x1296; 4096x1152; 3840x1080; 3072x864
Sub-Stream	60/50Hz@15fps; 2048x576; 1536x432; 1024x288
Video Compression	Main stream: H.265+/H.265/H.264+/H.264
	Sub-stream: H.265+/H.265/H.264+/H.264/MJPEG
Video Bit Rate	8kbps to 16384kbps
H.264 Type	Baseline Profile/Main Profile/High Profile
H.265 Type	Main Profile
Region Of Interest (ROI)	NA
Audio	
Audio Compression	G.711a/G.711u

Network	
Protocols	IPv4/IPv6, HTTP, HTTPS, FTP, SMTP, UPnP, SNMP, DNS, DDNS, NTP, RTSP, RTP, TCP/IP, UDP, DHCP, PPPoE,
API	Onvif (Profile S, Profile G, Profile T),Http API
Simultaneous	Live View Up to 14 channels
User/Host	15 User
Security	Password protection, complicated password, HTTPS encryption, IP address filter,control timeout settings
Client	VMS, SmartView
Web Viewer	IE10/11 Safari V12.1 above Firefox V.52 above Google chrome V.57 above Edge V.79 above
Image	
Day/Night Switch	Day, Night, Auto, Schedule
Image Enhancement	BLC, HLC, 3D DNR
Wide Dynamic Range (WDR)	DWDR
Image Settings	Saturation, brightness, contrast, sharpness, Hue and white balance adjustable by client software or web browser
Privacy	4 privacy masks
Interface	
Ethernet Interface	1 RJ45 10M/100M self-adaptive Ethernet port
On-Board Storage	Built-in memory card slot, support microSD/SDHC/SDXC card, up to 256GB
Alarm	Built-in red & blue flashing lights
Audio	1 built-in MIC
Reset	Yes
Built-In Speaker	1 built-in speaker
Event	
Basic Event	Motion detection

Deep Learning Function	Face Recogniton, Pedestrian&Vehicle Detection, Line Crossing, Object Detection, CrossCounting, Heat Map, Crowd Density, Queue Length, License Plate Recognition, Intrusion, Region Entrance, Region Exiting, Perimeter Intrusion, Rare Sound
General	
Power	DC 12V/POE, max. 13.49W
Operating Condition	-30°C to 60°C (-22°F to 149°F). Humidity 90% or less (non-condensing)
Material	Metal
Dimension	φ 135mm x 112.4mm (φ 5.3"x4.4")
Weight	Approx. 765 g (1.69 lb.)
Approval	
Protection	IP67

■ Dimension



■ Accessory (Optional)

